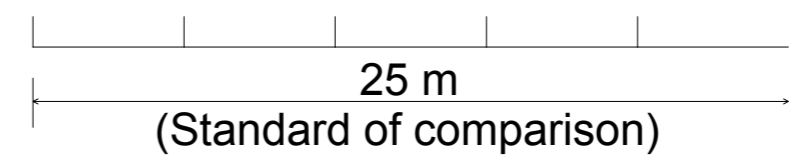
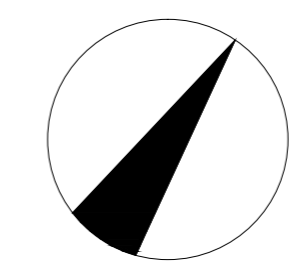
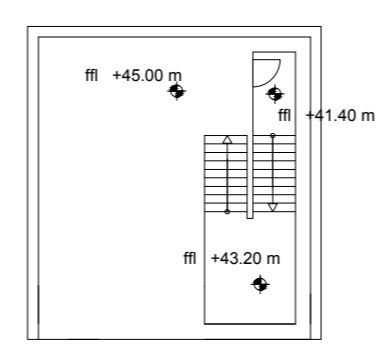
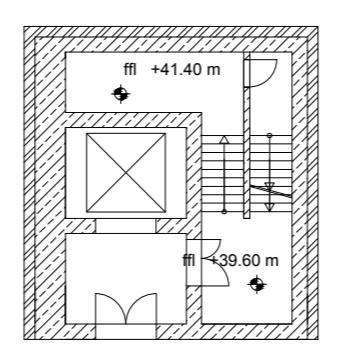
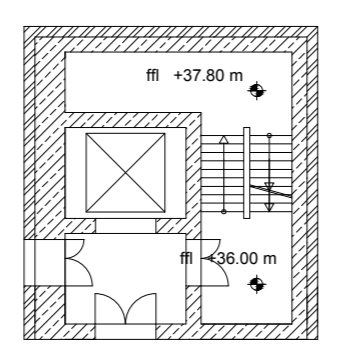
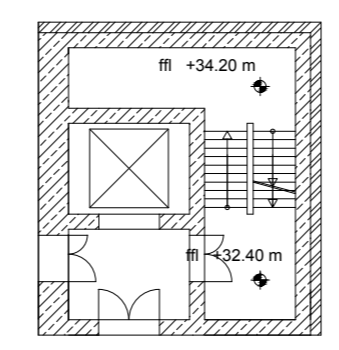
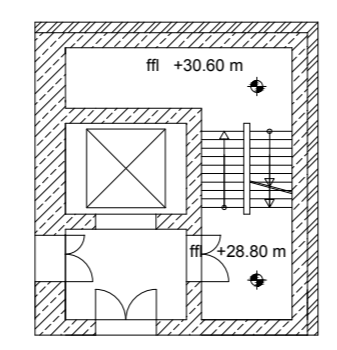
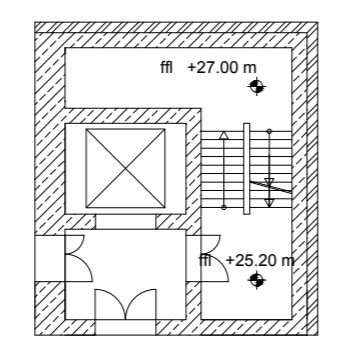
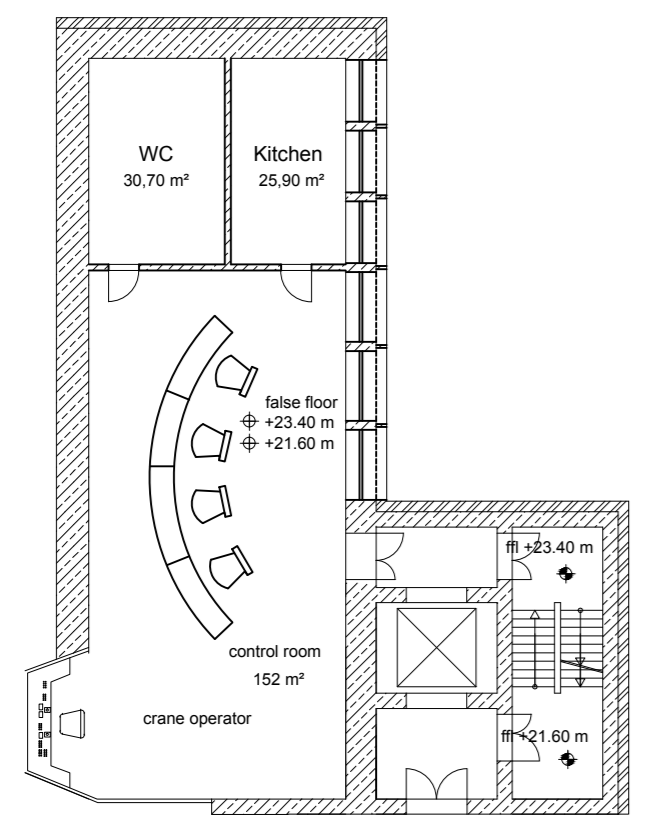
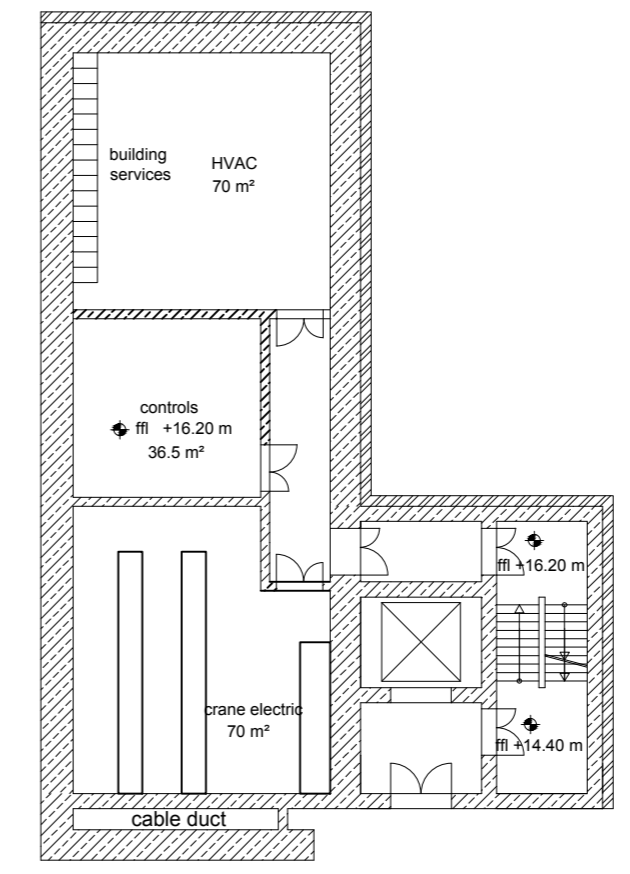
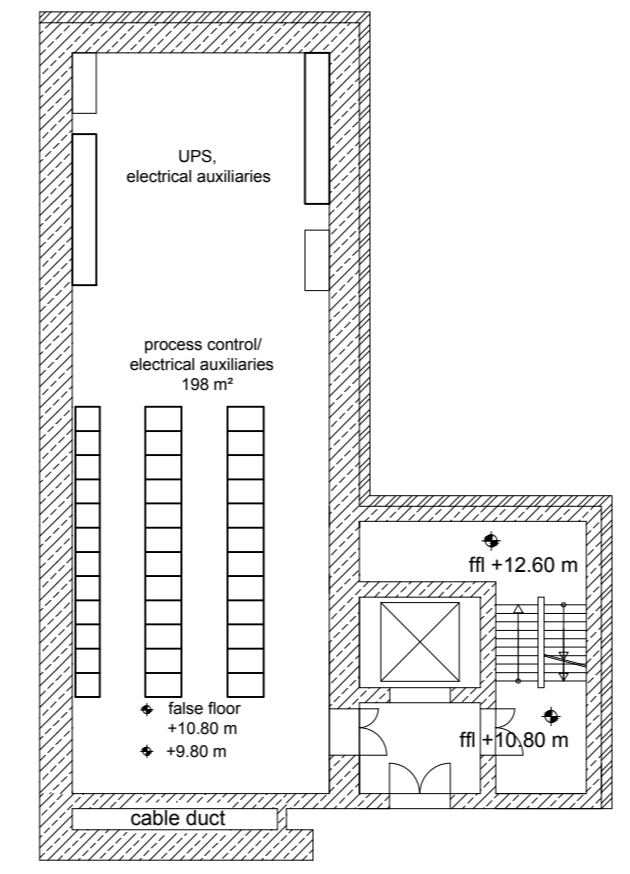
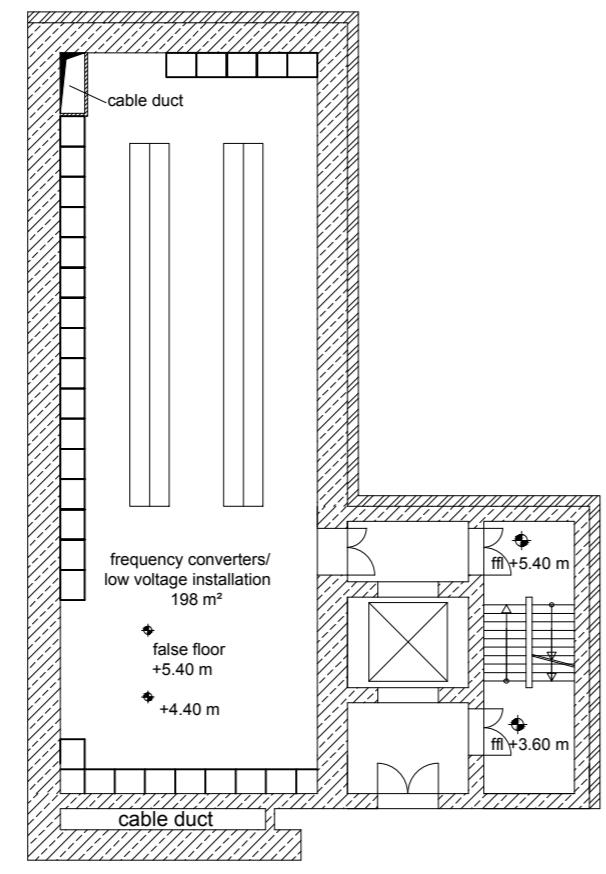
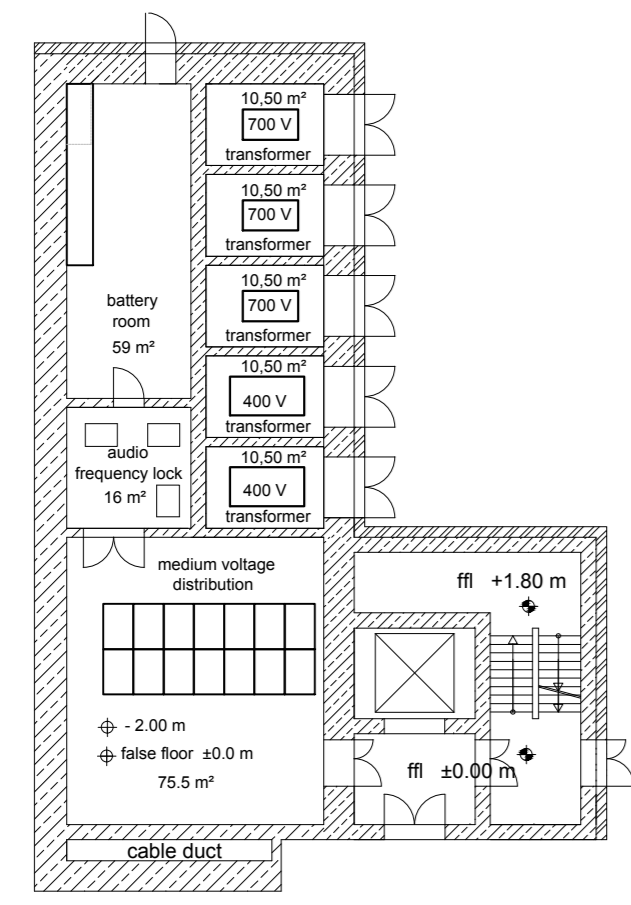


THIS DRAWING MAY BE USED ONLY FOR THE PURPOSE INTENDED AND ONLY WRITTEN DIMENSIONS SHALL BE USED

NOTES



FIRST ISSUE			
Revision Details	By	Date	Suffix
	Check		

Drawing Status  
**PLANNING**

Job Title  
**EfW CHP FACILITY  
NORTH YARD DEVONPORT**

Drawing Title  
**EFW CHP BUILDING  
SWITCH GEAR AND  
CONTROL ROOMS**

Scale at A2 1:250			
Drawn Gräbe	Approved Gasse	Originated	Date 17.05.2011
Stage 1 check	Stage 2 check		

Drawing Number <b>PA08 E</b>	Rev <b>0</b>
---------------------------------	-----------------

Plot Date :  
AutoCAD File Name :

Contractor to SWDWP	Environmental & Planning Consultant	EPC Contractor	Envi Con & Plant Engineering GmbH General Designer	Civil Works	Architect	Air Pollution Control	Boiler & Grate	Electrical & Control	Water Steam System
---------------------	-------------------------------------	----------------	--	-------------	-----------	-----------------------	----------------	----------------------	--------------------